



Quick Installation Guide

IMC-121FB Series

Industrial Media Converter

Introduction

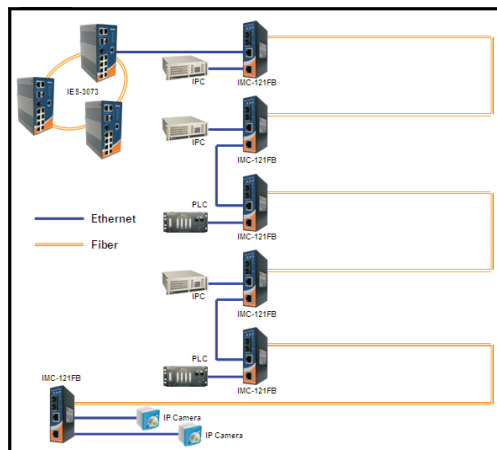
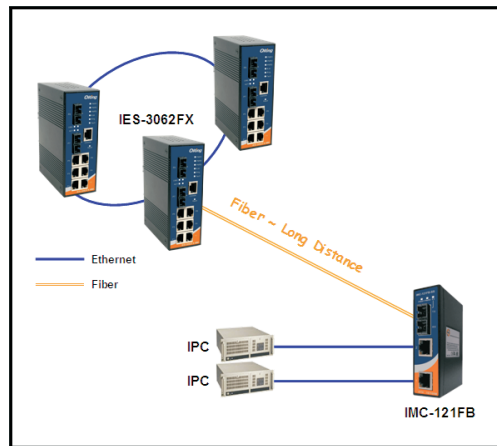
IMC-121FB series are industrial media converters provide media conversion between 10/100Base-T(X) and 100Base-FX. IMC-121FB series are rigid IP-30 housing design and supporting wide operating temperature of -40 to 70°C. Therefore, the IMC-121FB series are reliable media converters and can satisfy most demand of operating environment.



Features

- > Supports 2 ports 10/100Base-T(X) auto-negotiation and auto-MDI/MDI-X
- > 2x10/100 Base-T(X) ports to save the usage of copper ports
- > High reliability and rigid IP-30 housing
- > DIN-Rail and wall-mount enabled

Connections of Media converter

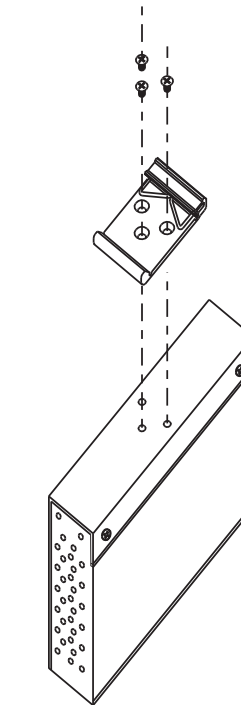


Specifications

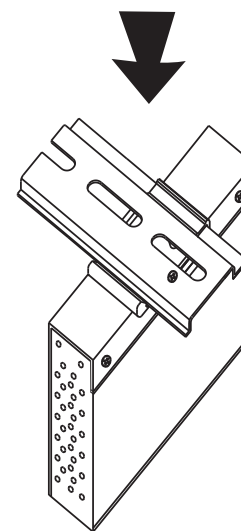
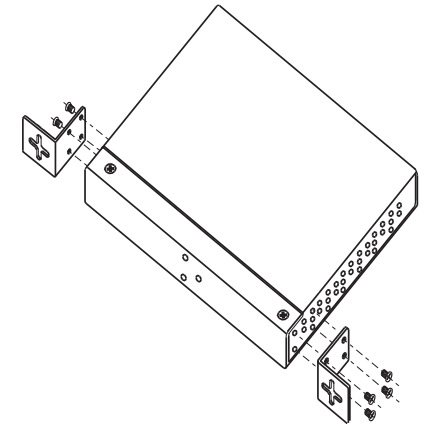
| ORing Media Converter Model | IMC-121FB-MM-SC | IMC-121FB-SS-SC |
|--|--|-----------------|
| Physical Ports | | |
| 10/100 Base-T(X) Ports in RJ45 Auto MDI/MDIX | 2 | 2 |
| 100Base-FX Multi-mode Port (2Km,1310nm,SC connector) | 1 | - |
| 100Base-FX Single-mode Port (30Km,1310nm,SC connector) | - | 1 |
| Technology | | |
| Ethernet Standards | IEEE 802.3 for 10Base-T, IEEE 802.3u for 100Base-T(X) and 100Base-FX | |
| LED Indicators | | |
| Power Indicator | Green: Power LED x2 | |
| 10/100Base-T(X) RJ 45 Port Indicator | Green for port Link/Act. Amber for Duplex/Collision | |
| 100Base-FX Fiber Port Indicator | Green for fiber port Link/Act | |
| Power | | |
| Input Power | Dual 12~48 VDC power inputs on 4-pin terminal block | |
| Power Consumption(Typ.) | 4.5 Watts | |
| Overload Current Protection | Present | |
| Reverse Polarity Protection | Present on terminal block | |
| Physical Characteristic | | |
| Enclosure | IP-30 | |
| Dimension (W x D x H) | 26.1 (W) x 70 (D) x 95 (H)mm (1.03 x 2.76 x 3.74 inch) | |
| Weight (g) | 210 g | |
| Environmental | | |
| Storage Temperature | -40 to 85°C (-40 to 185°F) | |
| Operating Temperature | -40 to 70°C (-40 to 158°F) | |
| Operating Humidity | 5% to 95% Non-condensing | |
| Regulatory Approvals | | |
| EMI | FCC Part 15, CISPR (EN55022) class A | |
| EMS | EN61000-4-2 (ESD), EN61000-4-3 (RS), EN61000-4-4 (EFT), EN61000-4-5 (Surge), EN61000-4-6 (CS), EN61000-4-8, EN61000-4-11 | |
| Shock | IEC60068-2-27 | |
| Free Fall | IEC60068-2-32 | |
| Vibration | IEC60068-2-6 | |
| Safety | EN60950-1 | |
| Warranty | 5 years | |

Installation

Din-Rail Install Step



Wall-mounted Install Step



ORing Industrial Networking Corp.

Copyright© 2011 ORing
All rights reserved.



TEL: +886-2-2218-1066 Website: www.oring-networking.com
FAX: +886-2-2218-1014 E-mail: support@oring-networking.com

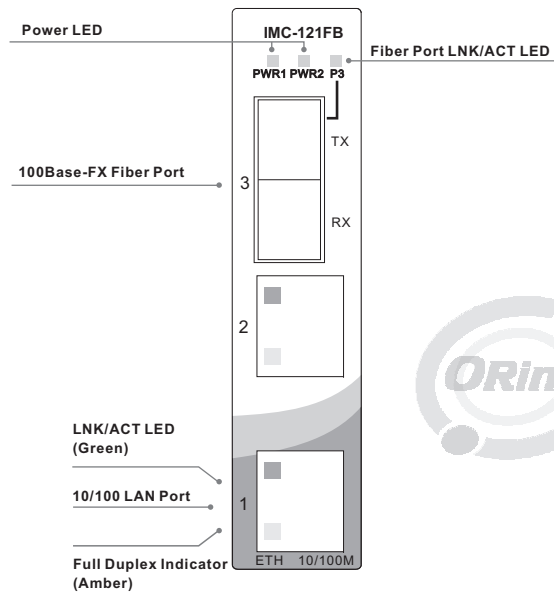


Quick Installation Guide

IMC-121FB Series

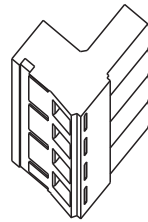
Industrial Media Converter

Front Panel



Accessory

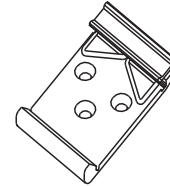
- ① 4-Pin Terminal block
- ② Dust Cover (RJ-45)
- ③ Screw (M3 X3)



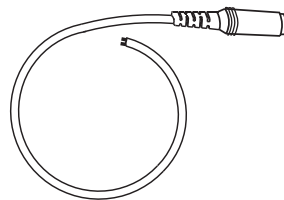
- ④ Wall-mounted kit



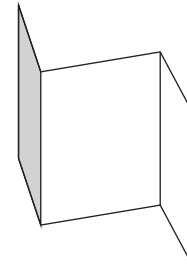
- ⑤ 25mm DIN-Rail kit



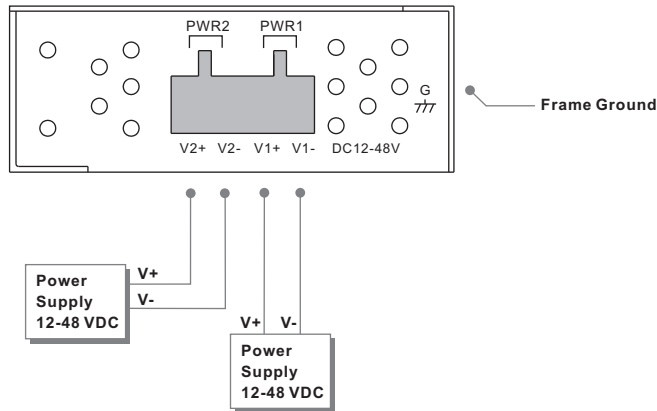
- ⑥ Power Cable with power jack



- ⑦ QIG



Power Connection Guide



Packing list

| Model name | Model Description | Accessory |
|-----------------|--|--|
| IMC-121FB-MM-SC | Industrial mini type Ethernet to fiber media converter with 2x10/100Base-T(X) and 1x100Base-FX, multi-mode, 2Km/1310nm, SC connector | ⊙X 1, ⊙X 2, ⊙X 8, ⊙X 2, ⊙X 1, ⊙X 1, ⊙X 1 |
| IMC-121FB-SS-SC | Industrial mini type Ethernet to fiber media converter with 2x10/100Base-T(X) and 1x100Base-FX, single-mode, 30Km/1310nm, SC connector | ⊙X 1, ⊙X 2, ⊙X 8, ⊙X 2, ⊙X 1, ⊙X 1, ⊙X 1 |

Communication Connections

10/100Base-T(X) Ethernet Port Connection

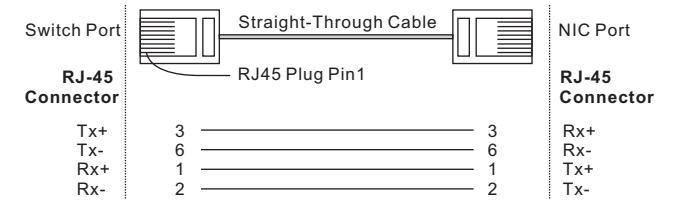
RJ45 (8-pin, MDI) Port Pinouts

| Pin | Single |
|-----|--------|
| 1 | Tx+ |
| 2 | Tx- |
| 3 | Rx+ |
| 6 | Rx- |

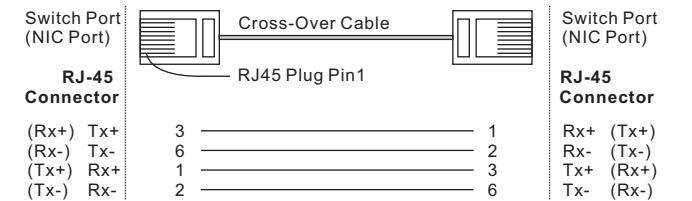
RJ45 (8-pin, MDI-X) Port Pinouts

| Pin | Single |
|-----|--------|
| 1 | Rx+ |
| 2 | Rx- |
| 3 | Tx+ |
| 6 | Tx- |

RJ45 (8-pin) to RJ45 (8-Pin) Straight-Through Cable Wiring



RJ45 (8-pin) to RJ45 (8-Pin) Cross-Over Cable Wiring



100Base-FX Connection

